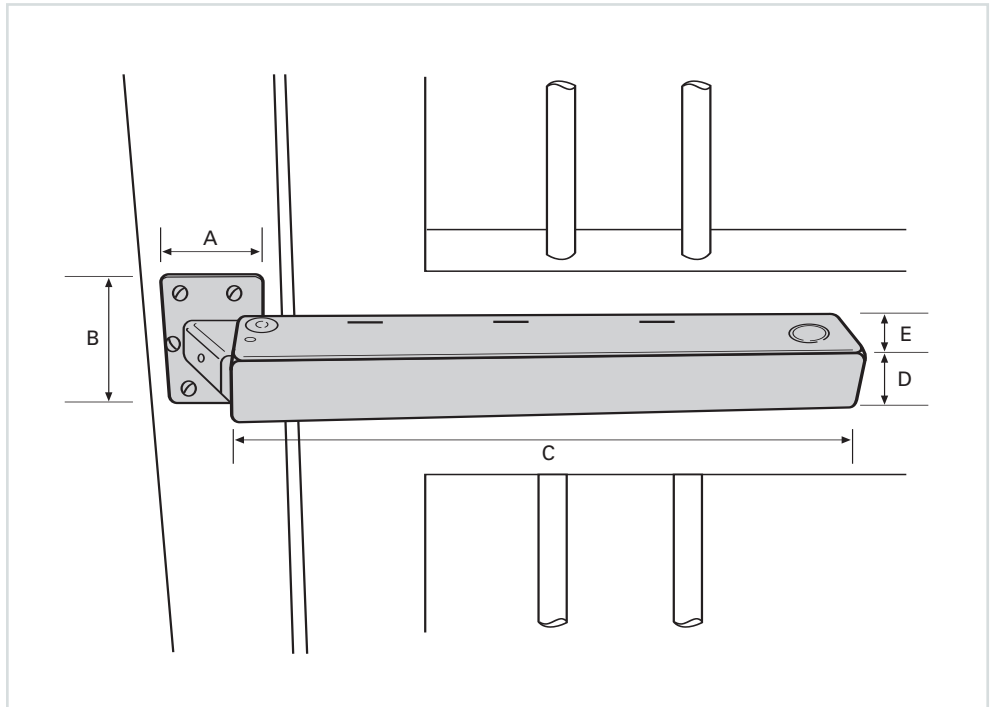


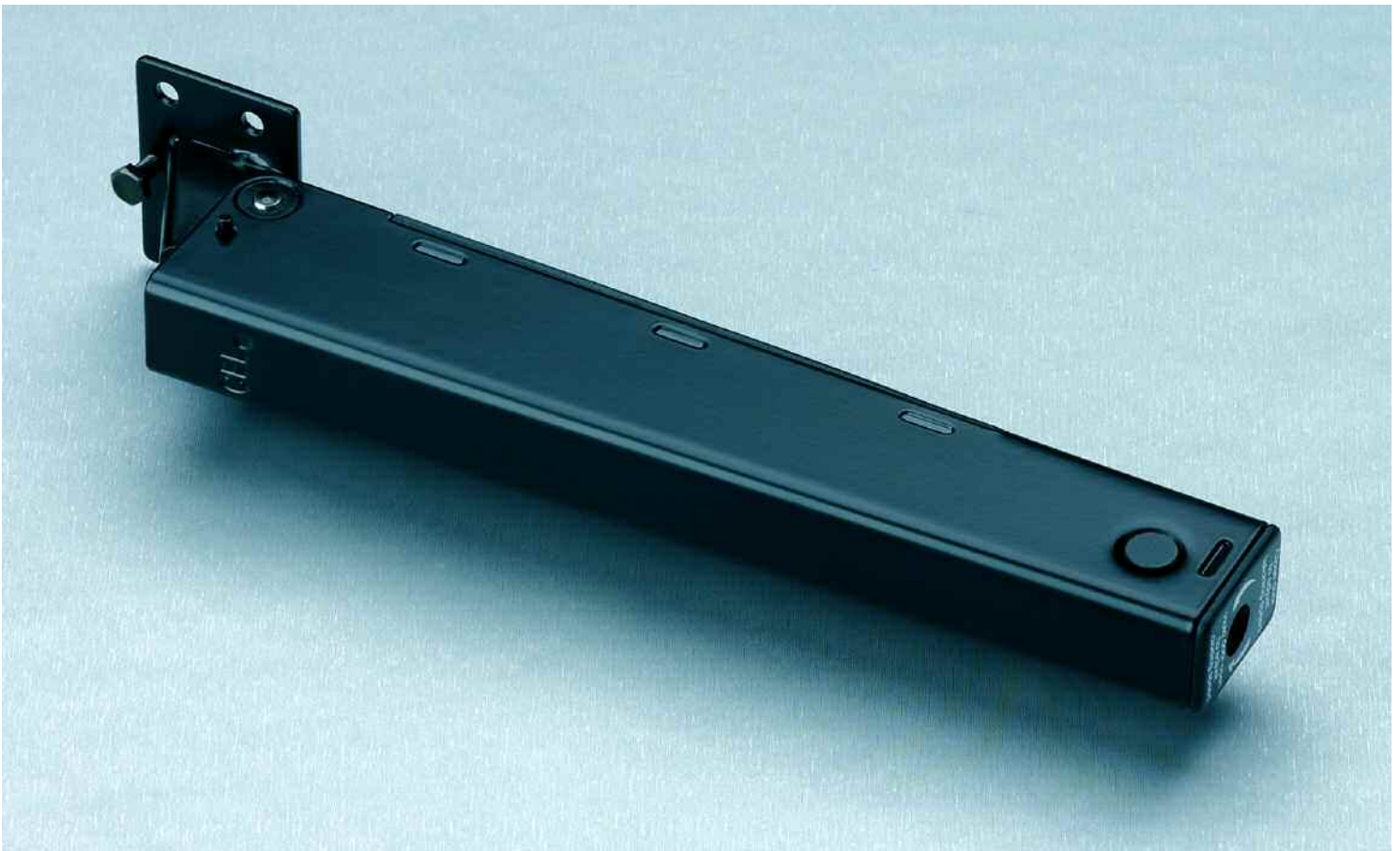
Gate closers

This closer is designed for self-closing personnel gates up to 1000mm wide and 50kg in weight. The gas powered pump is adjustable for both the closing and latching speeds. The closer is face fixed to the 'pull side of the gate and fitted with an optional hold-open facility. The steel casing is finished in black.



GATE CLOSER GC2000

A 45mm	B 63mm	C 280mm
D 30mm	E 45mm	



Note 1 - The distance between the gate and post should be as close as possible, also the faces of both the gate and the gate post must be flush. Therefore it may be necessary for the installer to fabricate mounting brackets, to ensure the correct operation of the closer.

Note 2 - Two closers must not be fitted onto one gate.

Note 3 - All gate closers will only function efficiently, if the gate is swinging freely on the hinges at all times, also that any latch or lock is operating correctly.